

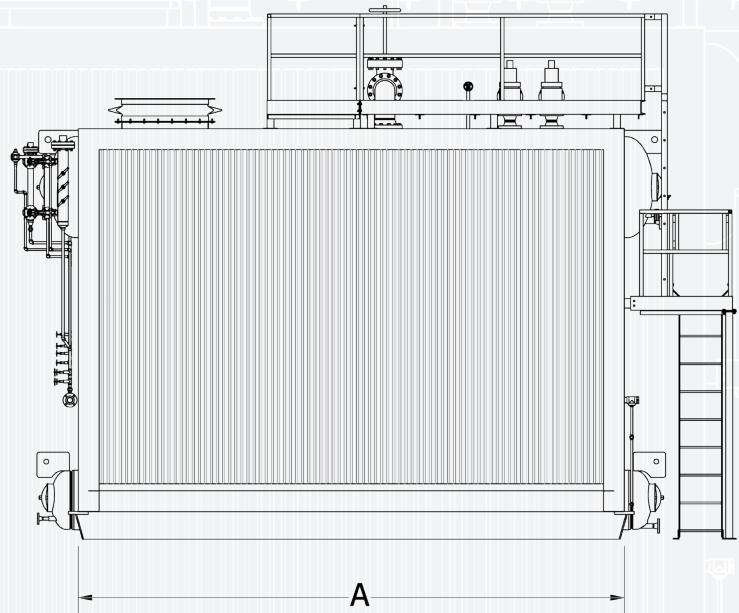
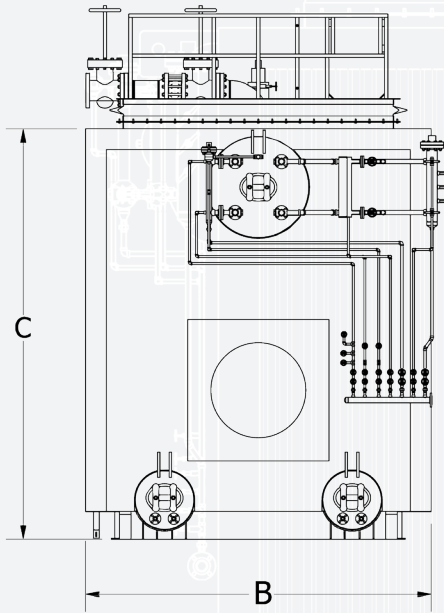
SUPERIOR **BOILER**

BUILT TO **OUTPERFORM**



APPALACHIA

A-TYPE WATERTUBE BOILER



- + Capacities from 30,000 - 250,000 lb/hr
- + Design pressure up to 1,200 psig
- + Superheated steam temperature up to 900°F
- + Gas outlet configuration: top
- + Available as a Modular Boiler System

	LENGTH (A)	WIDTH (B)	HEIGHT (C)
30,000 LB/HR	173 in.	114 in.	162 in.
40,000 LB/HR	202 in.	120 in.	162 in.
50,000 LB/HR	210 in.	138 in.	168 in.
60,000 LB/HR	232 in.	138 in.	168 in.
70,000 LB/HR	247 in.	148 in.	178 in.
80,000 LB/HR	266 in.	148 in.	178 in.
90,000 LB/HR	296 in.	148 in.	178 in.
100,000 LB/HR	291 in.	148 in.	184 in.
125,000 LB/HR	364 in.	148 in.	184 in.
150,000 LB/HR	424 in.	150 in.	194 in.
175,000 LB/HR	454 in.	150 in.	202 in.
200,000 LB/HR	490 in.	155 in.	202 in.



Superior Boiler leads the way in the design and manufacture of industrial and commercial boilers for all market segments. With over 100 years' experience in the industry, our customers don't just trust what we build, they trust the people who build them. Complete boiler systems built to exacting standards, **made in the USA**, and installed throughout the world.